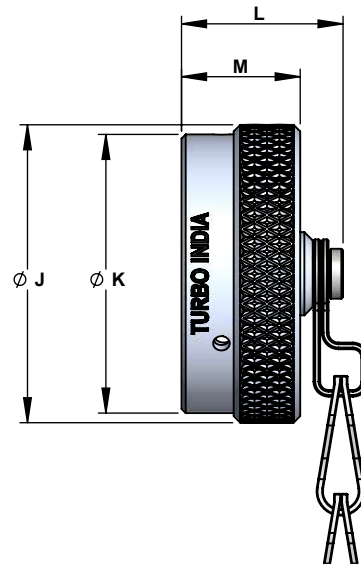
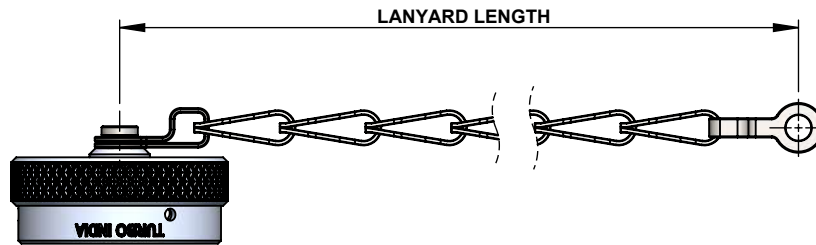


52 - PLUG COVER



53 - RECEPTACLE COVER



ORDERING INFORMATION

TB 52 - 18 W - SC 3.5 - 03

BRAND IDENTIFIER

PRODUCT SERIES CODE

52 = MIL-DTL-26482 SERIES I & II - PLUG
53 = MIL-DTL-26482 SERIES I & II - RECEPTACLE

SHELL SIZE
(SEE TABLE-I)

MATERIAL & FINISH
(SEE PAGE - D)

EYELET / SOLID RING OPTION
(SEE PAGE - G)
CF - Crimp Ferrule Option
TW - Tie Wrap Option
(SEE PAGE - F)

LANYARD LENGTH
(IN INCHES. MEASURED FROM CENTRE OF COVER TO CENTER OF EYELET OR RIVETING DIA CENTER OF SOLID RING.)

LANYARD OPTION
SC - Stainless Steel Sash Chain
Y - Stainless Steel Wire Rope, Nylon Jacket
T - Stainless Steel Wire Rope, Teflon Jacket
P - Stainless Steel Wire Rope, PVC Jacket
NB - Nylone Rope - Black
NA - No Accessory
(SEE PAGE - F)

REVISIONS

REV NO.	REVISED BY	DATE OF REV.	APPROVED BY
01	VN	06-01-2021	AD

DATE
01-10-2020



TURBO INDIA

INTERCONNECT SOLUTIONS

#114, 1st Floor, P C Industrial Estate, Kamakshipalya, Magadi Rd, Bangalore 560 079, Karnataka, India

THIS DRAWING IS COPYRIGHT AND THE PROPERTY OF TURBO INDIA INTERCONNECT SOLUTIONS. IT MUST NOT BE COPIED, USED FOR MANUFACTURE OR OTHERWISE DISCLOSED WITHOUT PRIOR WRITTEN CONSENT OF THE COMPANY.

UNLESS OTHERWISE SPECIFIED : ALL DIMENSIONS IN MILLIMETRES
GENERAL TOL: LINEAR : ± 0.10MM
ANGULAR : ± 2°

DRAWN :	AD	01-10-2020
CHECKED :	AD	01-10-2020
APPROVED :	MR	01-10-2020
MATERIAL :	---	REV.No
WEIGHT :	---	01

DESCRIPTION :	
PROTECTIVE COVER MIL-DTL-26482 SERIES I & II	
PART NUMBER / SERIES:	PAGE:NO
SERIES 52 & 53	61

TABLE - I SHELL SIZE DIMENSIONS

SHELL SIZE	Ø E MAX	Ø F MAX	G MAX	H MAX	Ø J MAX	Ø K MAX	L MAX	M MAX	STANDARD LANYARD LENGTH
08	18.26 (0.719)	12.01 (0.473)	19.84 (0.781)	14.27 (0.562)	18.64 (0.734)	16.14 (0.635)	21.44 (0.844)	14.27 (0.562)	76.20 (3.00)
10	21.44 (0.844)	14.99 (0.590)	19.84 (0.781)	14.27 (0.562)	21.82 (0.859)	19.32 (0.761)	21.44 (0.844)	14.27 (0.562)	76.20 (3.00)
12	25.40 (1.000)	19.05 (0.750)	19.84 (0.781)	14.27 (0.562)	25.40 (1.000)	22.90 (0.902)	21.44 (0.844)	14.27 (0.562)	88.90 (3.50)
14	28.58 (1.125)	22.22 (0.875)	19.84 (0.781)	14.27 (0.562)	28.58 (1.125)	26.08 (1.027)	21.44 (0.844)	14.27 (0.562)	88.90 (3.50)
16	31.75 (1.250)	25.40 (1.000)	19.84 (0.781)	14.27 (0.562)	31.75 (1.250)	29.25 (1.152)	21.44 (0.844)	14.27 (0.562)	88.90 (3.50)
18	34.92 (1.375)	28.58 (1.125)	19.84 (0.781)	14.27 (0.562)	34.92 (1.375)	32.42 (1.276)	21.44 (0.844)	14.27 (0.562)	88.90 (3.50)
20	38.10 (1.500)	31.75 (1.250)	21.44 (0.844)	15.88 (0.625)	38.10 (1.500)	35.60 (1.402)	21.44 (0.844)	14.27 (0.562)	101.60 (4.00)
22	41.28 (1.625)	34.92 (1.375)	21.44 (0.844)	15.88 (0.625)	41.28 (1.625)	38.78 (1.527)	21.44 (0.844)	14.27 (0.562)	101.60 (4.00)
24	44.45 (1.750)	38.10 (1.500)	22.22 (0.875)	16.71 (0.658)	44.45 (1.750)	41.95 (1.652)	22.22 (0.875)	15.29 (0.602)	101.60 (4.00)

1. DIMENSIONS IN PARENTHESIS ARE IN INCHES.
2. FOR ANY KIND OF LANYARD AND OTHER ATTACHMENTS, REACHOUT TO US ON sales@turboindia.co.in



THIS DRAWING IS COPYRIGHT AND THE PROPERTY OF TURBO INDIA INTERCONNECT SOLUTIONS. IT MUST NOT BE COPIED, USED FOR MANUFACTURE OR OTHERWISE DISCLOSED WITHOUT PRIOR WRITTEN CONSENT OF THE COMPANY.	UNLESS OTHERWISE SPECIFIED : ALL DIMENSIONS IN MILLIMETRES GENERAL TOL: LINEAR : ± 0.10MM ANGULAR : ± 2°	DRAWN :	AD	DATE	01-10-2020	DESCRIPTION : PROTECTIVE COVER MIL-DTL-26482 SERIES I & II	PART NUMBER / SERIES: SERIES 52 & 53	PAGE:NO 62
		CHECKED :	AD	01-10-2020				
		APPROVED :	MR	01-10-2020				
		MATERIAL :	---	REV.No				
		WEIGHT :	---	01				