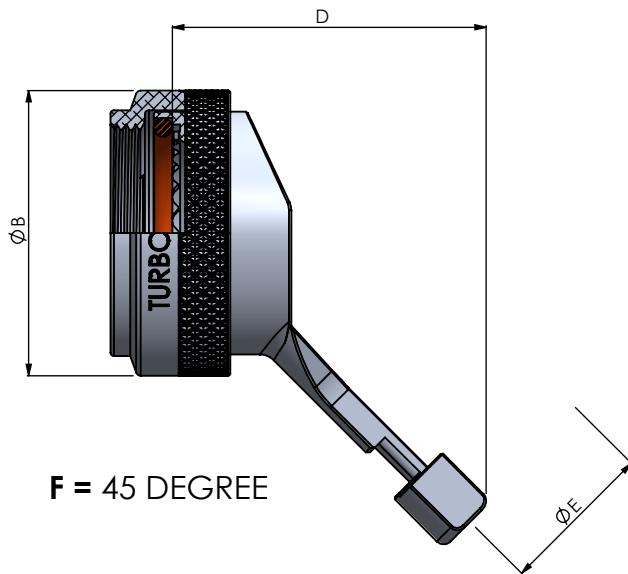
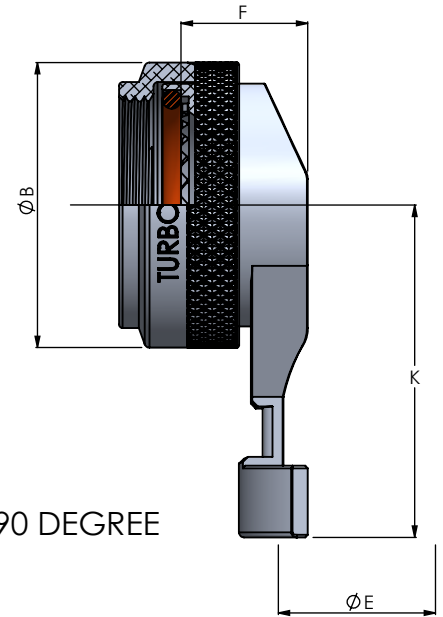


S = STRAIGHT



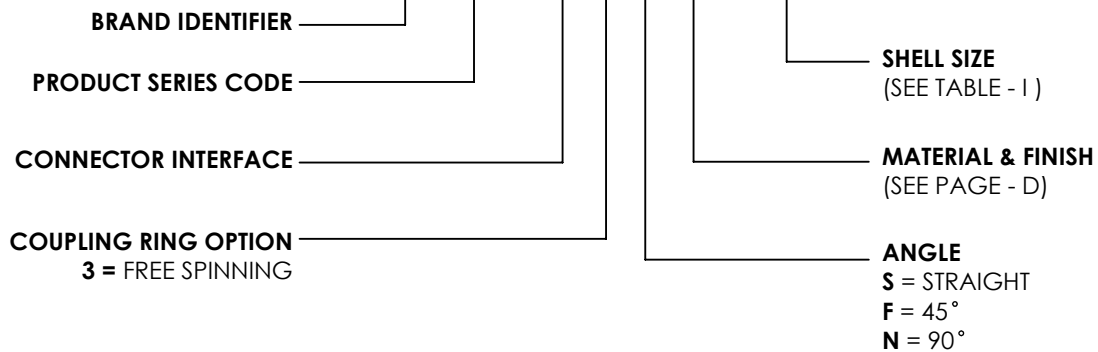
F = 45 DEGREE



N = 90 DEGREE

### ORDERING INFORMATION

## TB 64 - H 3 S W - 17



\*\* CUSTOMIZATION POSSIBLE

DRAWN :		VN	DATE
CHECKED :		AD	
APPROVED :		MR	



**TURBO INDIA**  
 INTERCONNECT SOLUTIONS LLP  
 #114, 1st Floor, P C Industrial Estate, Kamakshipalya,  
 Magadi Rd, Bangalore 560 079, Karnataka, India

THIS DRAWING IS COPYRIGHT AND THE PROPERTY OF TURBO INDIA INTERCONNECT SOLUTIONS. IT MUST NOT BE COPIED, USED FOR MANUFACTURE OR OTHERWISE DISCLOSED WITHOUT PRIOR WRITTEN CONSENT OF THE COMPANY.

UNLESS OTHERWISE SPECIFIED : ALL DIMENSIONS IN MILLIMETRES  
 GENERAL TOL: LINEAR : ± 0.10MM  
 ANGULAR : ± 2°

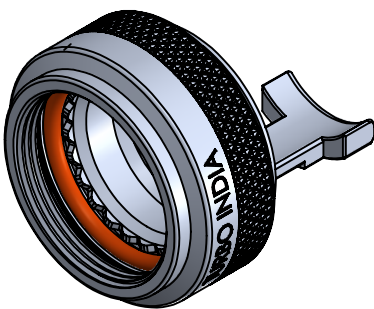
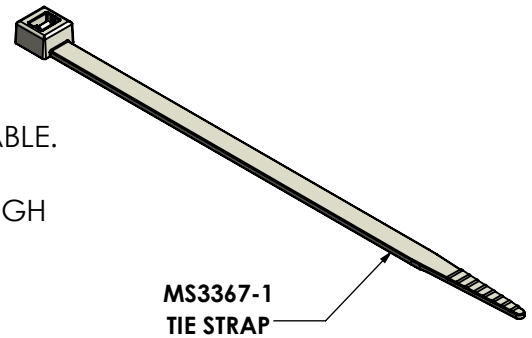
MATERIAL :	---	REV.No 01
WEIGHT :	---	
ASSEMBLY USED ON:		---

DESCRIPTION : TIE STRAP - BACKSHELLS	
PART NUMBER / SERIES: SERIES 64	PAGE:NO 26

**TABLE - I SHELL SIZE**

SHELL SIZE	Ø B MAX	C MAX	D MAX	Ø E	F MAX	K MAX
09	18.90	22.80	27.90	6.40	12.30	22.60
11	21.70	22.80	27.90	9.70	12.30	24.10
13	25.30	24.30	27.90	12.70	12.30	27.20
15	29.20	28.80	31.00	16.00	13.30	33.80
17	31.90	28.80	31.90	19.10	13.30	35.30
19	35.30	30.70	31.90	21.30	13.30	37.60
21	39.20	34.00	31.90	24.60	13.30	42.20
23	41.45	37.00	31.90	27.70	13.30	47.00
25	46.02	40.30	31.90	31.00	13.30	48.50

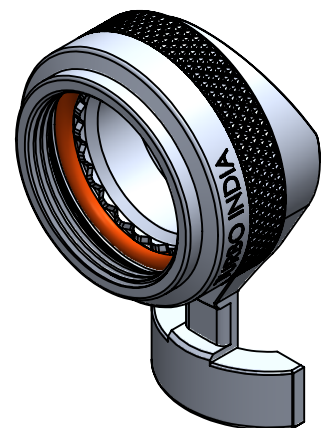
- FOR ANY KIND OF CUSTOMISATION ON THIS BACKSHELL, FOR TERMINATION BANDS AND OTHER ACCESSORIES REACHOUT TO US ON [sales@turboindia.co.in](mailto:sales@turboindia.co.in)
- USE **MS3367-1 TIE STRAP** OR EQUIVALENT.
- AVAILABLE ON COUPLING RING OPTIONS 1 & 3 ONLY.
- FOR CUSTOMIZATION, ABOVE DIMENSIONS WILL NOT BE APPLICABLE.
- FINAL DIMENSIONS WILL BE INTIMATED TO THE CUSTOMER THROUGH CUSTOMER REFERENCE DRAWING.



**S = STRAIGHT**



**F = 45 DEGREE**



**N = 90 DEGREE**

		DATE
DRAWN :	VN	
CHECKED :	AD	
APPROVED :	MR	



**TURBO INDIA**  
 INTERCONNECT SOLUTIONS LLP  
 #114, 1st Floor, P C Industrial Estate, Kamakshipalya,  
 Magadi Rd, Bangalore 560 079, Karnataka, India

THIS DRAWING IS COPYRIGHT AND THE PROPERTY OF TURBO INDIA INTERCONNECT SOLUTIONS. IT MUST NOT BE COPIED, USED FOR MANUFACTURE OR OTHERWISE DISCLOSED WITHOUT PRIOR WRITTEN CONSENT OF THE COMPANY.

UNLESS OTHERWISE SPECIFIED :  
 ALL DIMENSIONS IN MILLIMETRES  
 GENERAL TOL:  
 LINEAR : ± 0.10MM  
 ANGULAR : ± 2°

MATERIAL :	---	REV.No 01
WEIGHT :	---	
ASSEMBLY USED ON:		
---		

DESCRIPTION : <b>TIE STRAP - BACKSHELLS</b>	
PART NUMBER / SERIES: <b>SERIES 64</b>	PAGE:NO <b>27</b>