

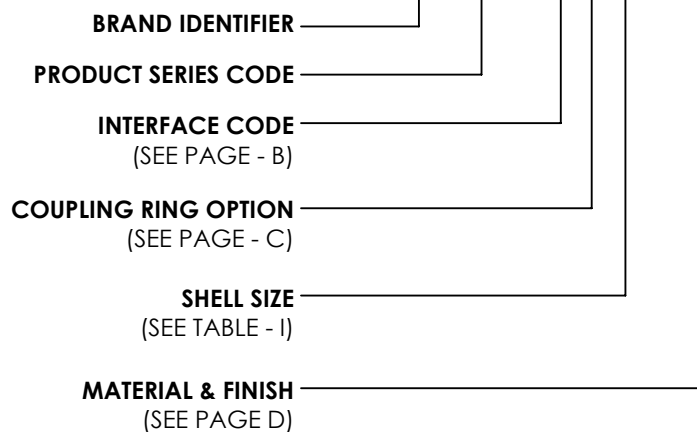
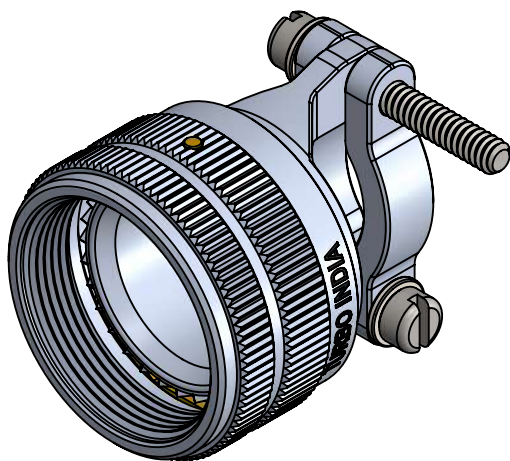
** FOR A-THREAD DETAIL REFER PAGE H

NOTES :

1. SCREWS WITH INTEGRATED WASHERS WILL BE SUPPLIED.
2. KNURL STYLE CAN BE OPTED BY CUSTOMER.
3. CABLE ENTRY IS DEFINED AS THE ACCOMODATION ENTRY OF THE WIRE BUNDLE OR CABLE.
4. AVAILABLE ON STRAIGHT VERSIONS ONLY.

ORDERING INFORMATION

TB 54 -A5W-10



TURBO INDIA

INTERCONNECT SOLUTIONS

#114, 1st Floor, P C Industrial Estate, Kamakshipalya, Magadi Rd, Bangalore 560 079, Karnataka, India

THIS DRAWING IS COPYRIGHT AND THE PROPERTY OF TURBO INDIA ICS. IT MUST NOT BE COPIED, USED FOR MANUFACTURE OR OTHERWISE DISCLOSED WITHOUT PRIOR WRITTEN CONSENT OF THE COMPANY.	UNLESS OTHERWISE SPECIFIED : ALL DIMENSIONS IN MILLIMETRES GENERAL TOL: LINEAR : +/-0.10MM ANGULAR : +/- 2 °	DRAWN :	AD	DATE	02-07-2020	DESCRIPTION : STRAIN RELIEF ADAPTERS	PART NUMBER / SERIES: SERIES 54	PAGE:NO 24
		CHECKED :	AD	02-07-2020				
		APPROVED :	MR	02-07-2020				
		MATERIAL :	---	REVISION	00			
		WEIGHT :	---					

TABLE - I SHELL SIZE

CONNECTOR DESIGNATOR			M - THREAD	Ø B MAX	L MAX	G MAX	CABLE ENTRY MIN	CABLE ENTRY MAX
A	F	H						
08	08	09	6-32 UNC	22.47	18.55	18.59	3.17	5.18
10	10	11	6-32 UNC	25.70	21.60	21.90	4.75	7.26
12	12	13	6-32 UNC	28.80	24.90	24.60	7.40	10.57
14	14	15	6-32 UNC	32.00	24.90	25.50	8.91	12.10
16	16	17	6-32 UNC	35.20	27.90	26.90	12.72	15.87
18	18	19	8-32 UNC	38.40	34.30	35.40	13.15	17.95
20	20	21	8-32 UNC	41.50	50.30	37.20	14.75	21.10
22	22	23	8-32 UNC	44.70	69.30	39.90	16.35	24.28
24	24	25	8-32 UNC	47.90	73.20	43.10	17.93	27.45

FOR ANY KIND OF CUSTOMISATION ON THIS BACKSHELL, REACHOUT TO US ON sales@turboindia.co.in



TURBO INDIA

INTERCONNECT SOLUTIONS

#114, 1st Floor, P C Industrial Estate, Kamakshipalya, Magadi Rd, Bangalore 560 079, Karnataka, India

<p>THIS DRAWING IS COPYRIGHT AND THE PROPERTY OF TURBO INDIA ICS. IT MUST NOT BE COPIED, USED FOR MANUFACTURE OR OTHERWISE DISCLOSED WITHOUT PRIOR WRITTEN CONSENT OF THE COMPANY.</p>	<p>UNLESS OTHERWISE SPECIFIED : ALL DIMENSIONS IN MILLIMETRES GENERAL TOL: LINEAR : +/-0.10MM ANGULAR : +/- 2 °</p>	DRAWN :	AD	DATE	02-07-2020	<p>DESCRIPTION : STRAIN RELIEF ADAPTERS</p>	<p>PART NUMBER / SERIES: SERIES 54</p>	<p>PAGE:NO 25</p>
		CHECKED :	AD	DATE	02-07-2020			
		APPROVED :	MR	DATE	02-07-2020			
		MATERIAL :	---	REVISION	00			
		WEIGHT :	---					